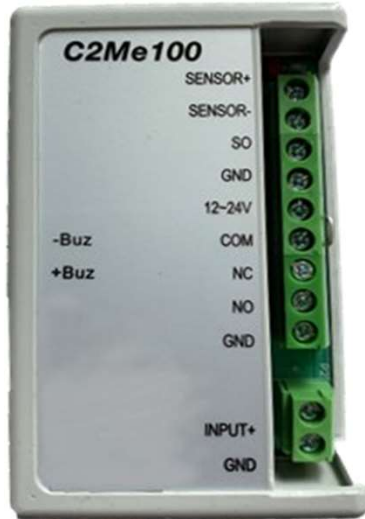


C2Me100 Door Controller



FEATURES

- 1 number of NO/NC output for locks
- 1 sensor input for detection of door status
- 1 door release input
- Auto Door lock
- Upgradable Firmware
- Buzzer
- APP Enable
- Notification on APP when door is open online and offline
- Full audit trail on access through APP
- Instantaneous Access Management through APP
- DASHBOARD Management
- No control cables required
- Full audit trail
- Real time access right management
- APP notification when door is open
- RF Silent
- Wireless control with Rolling Encryption Key

OVERVIEW

The C2Me100 is a cost effective door controller that provide Access Management system that is found on costly system. The system do not need expensive infrastructure setup or highly skill specializes to setup.

Furthermore, the system is able to provide instantaneous access management and real time audit trail on the web dashboard or Smartphone.

The wireless communication between the Smartphone and the controller come with a rolling key encryption and when there is no activities on the controller, it will not have any RF signature broadcasting, unlike WIFI or Bluetooth equivalent system, even not in use, the conventional WIFI/BT products can be discover on a RF scanner.

For greater ease of mind, the C2Me100 is a full OFFLINE system that does not need any connectivity to the outside world

Product Powered by C2ME BLE. ©Copyright Connect2Me Pte Ltd. Specifications subject to change without prior notice.

Contact

+65 6972-1808
sales@voila-asia.com

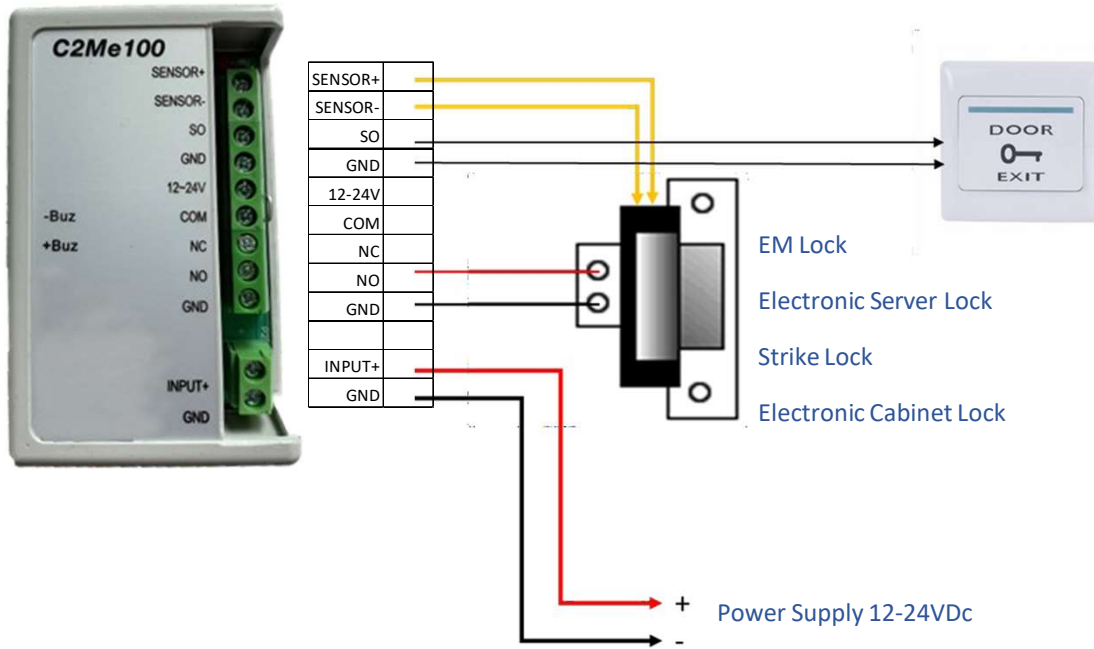
Address

180 Paya Lebar Road #09-03
Yi Guang Factory Building Singapore 409032

Website

www.voila-asia.com

ARCHITECTURE



Technical Specification

INPUTS

- ◆ 1 supervised inputs for door status
- ◆ 1 Door release
- ◆ 1 Buzzer

OUTPUTS

- ◆ 1 relays (3A @24VDC)
- ◆ 1 open collector outputs (100mA @ 3V) - can be use for buzzer

DIMENSIONS	: 80 x 50 x 25 mm
COMMUNICATION	: C2Me
POWER Input	: 12~24VDC
POWER CONSUMPTION	: 5mA @ 12Vdc (typical; no devices attached)
POWER OUTPUT	: 12~24VDC @ 3A max
ENVIRONMENT	: TBA

Product Powered by C2ME BLE. ©Copyright Connect2Me Pte Ltd. Specifications subject to change without prior notice.

Contact

+65 6972-1808
sales@voila-asia.com

Address

180 Paya Lebar Road #09-03
Yi Guang Factory Building Singapore 409032

Website

www.voila-asia.com