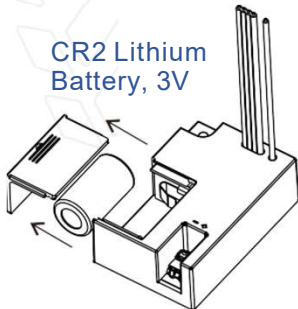
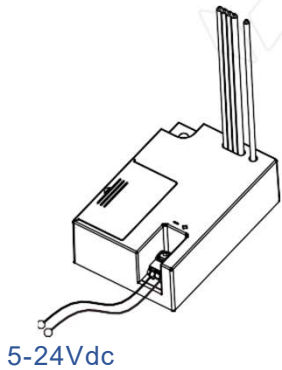
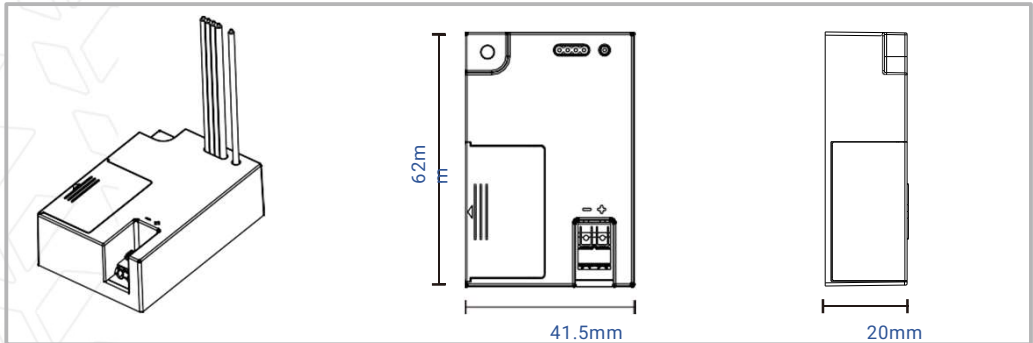
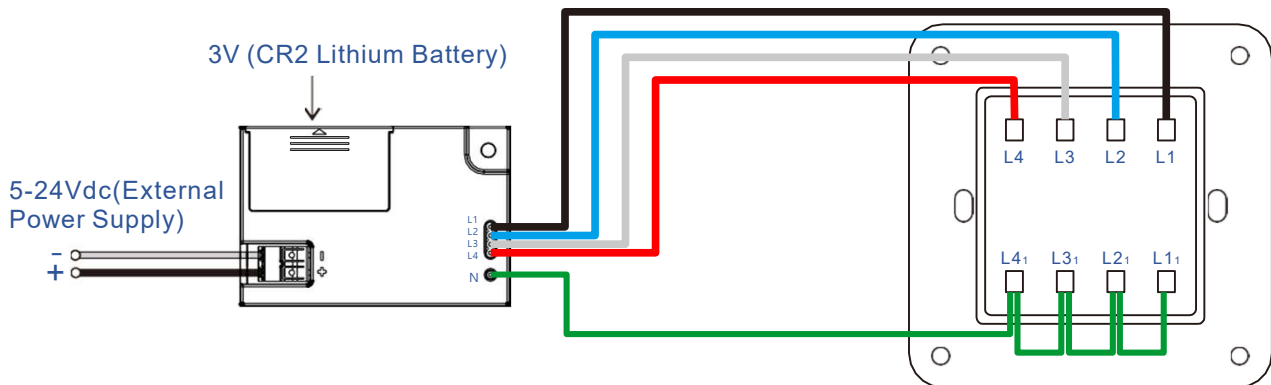


BWS4DC Dry Contact Wall Switch BLE Controller



4-Button Dry Contact Wall Switch



Remark:

This Controller only requires a 3V lithium battery or 5-24Vdc external power supply to power it up. Support to any 4 buttons dry contact wall switch. Setting different control commands into each button through App. Any 4-button dry contact wall switch are available.

Technical Specs:

Input: 3V (Lithium Battery) or
5-24Vdc(External power supply)
Output: BLE wireless control

Applications:

4-Button Dry Contact Wall Switch

Product Powered by C2ME BLE. ©Copyright Connect2Me Pte Ltd. Specifications subject to change without prior notice.

Contact

+65 6972-1808
sales@voila-asia.com

Address

180 Paya Lebar Road #09-03
Yi Guang Factory Building Singapore 409032

Website

www.voila-asia.com