

BRSCSWH-10 BLE Radar Sensor

Model Number: BRSCSWH-10

Input Voltage: 100-240Vac 50/60Hz

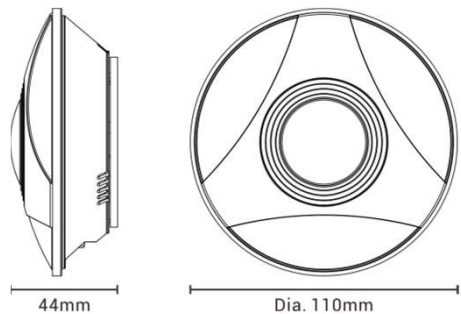
Output: BLE Wireless Control

Color: White

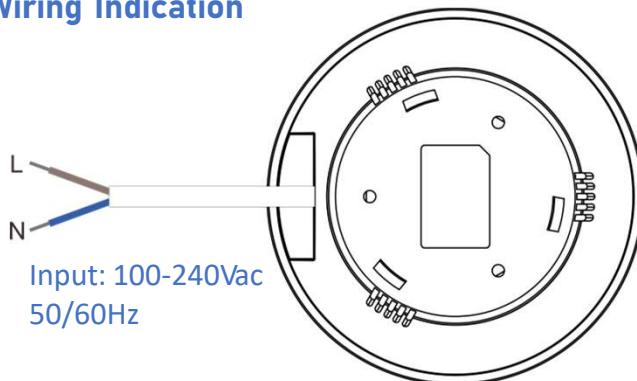
Application: Indoor

Material: Plastic

Dimension: Dia. 4.33"xH1.73"



Wiring Indication



Installation



Description:

This is a radar sensor that takes a line voltage input and provides a BLE wireless control.

Product Powered by C2ME BLE. ©Copyright Connect2Me Pte Ltd. Specifications subject to change without prior notice.

Contact

+65 6972-1808
sales@voila-asia.com

Address

180 Paya Lebar Road #09-03
Yi Guang Factory Building Singapore 409032

Website

www.voila-asia.com