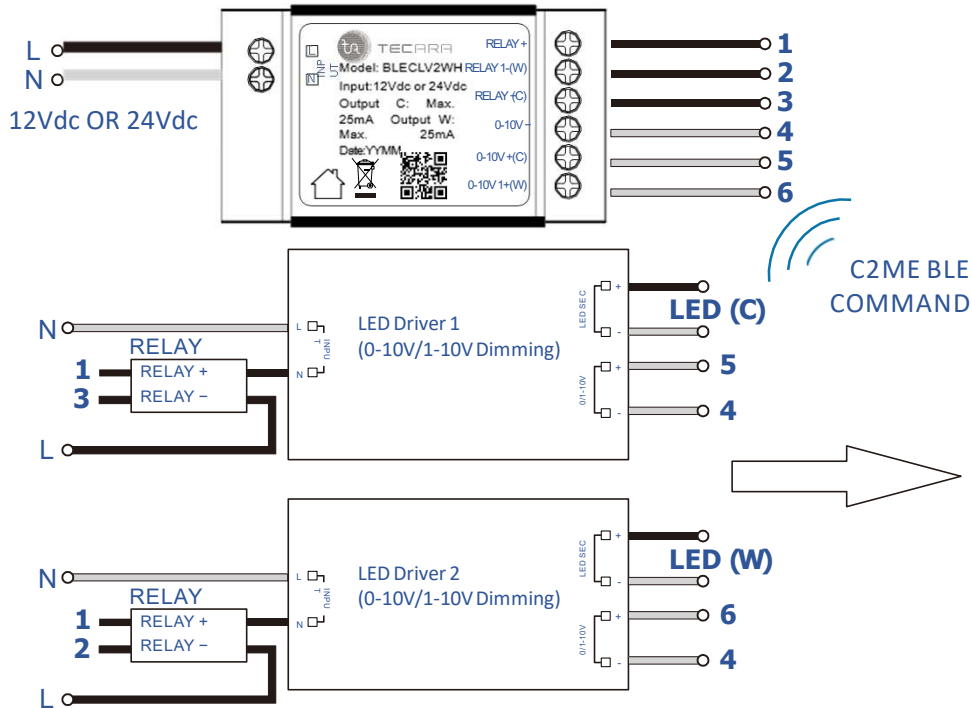
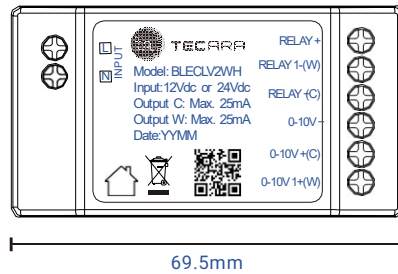
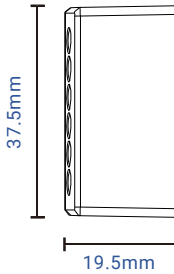
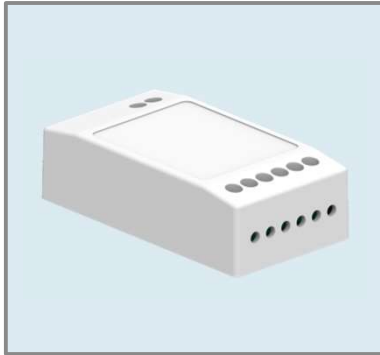




# BLECLV2WH 0-10V Dual Line Voltage BLE Controller



## Description

This controller takes a 12Vdc or 24Vdc input and provides control signals to two 0/1-10V drivers at the same time in order to provide synchronous BLE wireless ON/OFF and dimming controls.

## Technical Specs:

Input: 12Vdc or 24Vdc  
Output (C): 0-10V control signal (25mA)  
Output (W): 0-10V control signal (25mA)

## Applications:

Any LED fixtures with two 0/1-10V dimmable drivers

Product Powered by C2ME BLE. ©Copyright Connect2Me Pte Ltd. Specifications subject to change without prior notice.

### Contact

+65 6972-1808  
sales@voila-asia.com

### Address

180 Paya Lebar Road #09-03  
Yi Guang Factory Building Singapore 409032

### Website

[www.voila-asia.com](http://www.voila-asia.com)