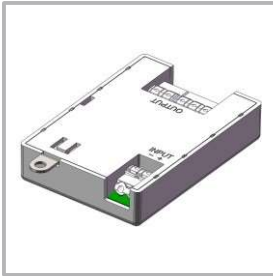
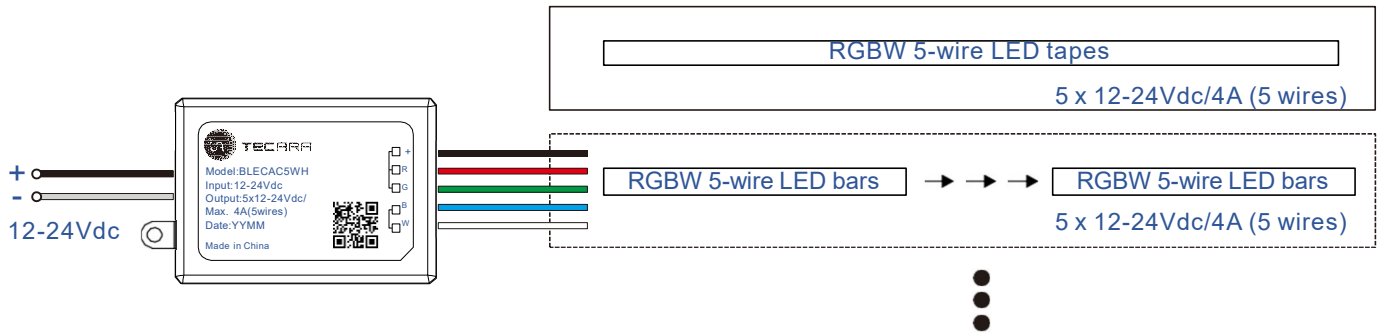
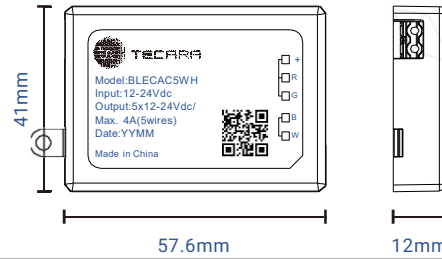
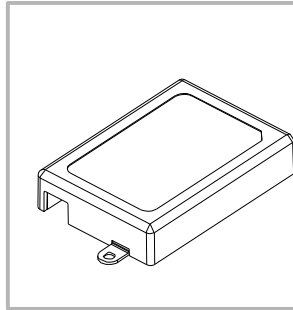


BLECAC5 RGBW BLE Controller (5 Wire)



BLE Controller



Remark:

This controller takes a 12-24Vdc input and converts it into 5 x 12-24Vdc (4A) outputs to a 5-wire RGBW fixture in order to support a BLE wireless ON/OFF, dimming, CCT and color control.

Technical Specs:

Input: 12-24Vdc
Output: 5 x 12-24Vdc/4A (5 wires)

Applications:

- RGBW 5-wire LED tapes
- RGBW 5-wire LED bars
- Any low voltage DC fixtures with 5-wire RGBW configuration

Product Powered by C2ME BLE. ©Copyright Connect2Me Pte Ltd. Specifications subject to change without prior notice.

Contact

+65 6972-1808
sales@voila-asia.com

Address

180 Paya Lebar Road #09-03
Yi Guang Factory Building Singapore 409032

Website

www.voila-asia.com